

FADINI[®]
the gate opener

DARDO
424





FADINI
the gate opener



DARDO
424

DARDO

424

24 Vdc electromechanical operator for swinging gates with leaves up to 2.5 m each.

• **Quiet**

24 Vdc irreversible electromechanical operator, brass shaft nut (threaded bush) and steel screw shaft system, where the shaft is supported by a radial bearing and a lubricated bushing.

• **Simple**

release system for the manual operations of the gates. Overriding is by the same coded key that allows opening of the protection cover.

• **Smart**

as gate delay can be made automatically during the programming phase or manually by simply pressing a button in the ELPRO 42 electronic control box.

Mechanical stop plates fix the limits of the permitted gate travel in opening and closing by adjusting their positions directly on to the operator cover.

• **Safe**

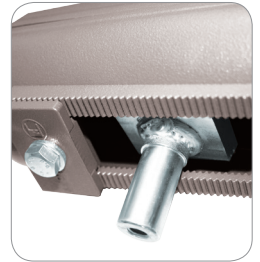
by the combined action of the encoder with the constant monitoring of the efforts, which ensures the correct functioning of the gate. Possible obstacles are detected and gate travel reversed. Slowing down in opening and closing phases.

• **Robust and compact**

thanks to its protection cover in pressure cast aluminium and polyester powder coating. Suitable for residential applications.



Manual release by coded key



Incorporated stop plates in open and closed gate positions



Terminal blocks for the electrical connections - DARDO 424

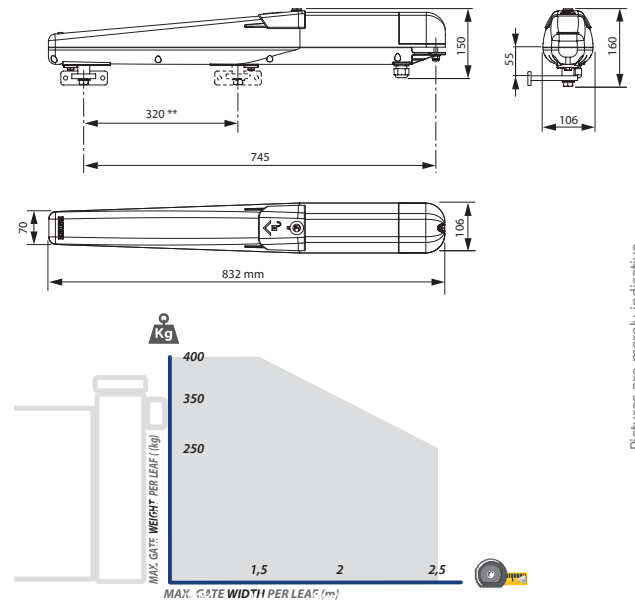


technical data

▼ Power supply	230 Vac - 50 Hz
▼ Motor voltage	24 Vdc
▼ Absorbed power	80 W
▼ Absorbed current	3,5 A
▼ Opening time [90°]	16 s ÷ 20 s *
▼ Speed	16 ÷ 20 mm/s *
▼ Thrust	1.000 N
▼ Working temperature	-20 °C +50 °C
▼ Protection standards	IP 44
▼ Net travel between mechanical stops	320 mm **
▼ Weight	6.5 kg
▼ Frequency of use	intensive

* opening and closing times depend on the fixing distances, speed adjustment and gate inertia.
 ** without the mechanical stops it is possible to extend travel by 60 mm, but it is required that gate stops be fitted on to the ground both in open and closed gate positions as required.

OVERALL DIMENSIONS DARDO 424



DARDO 424

The gate structure, design (solid, in-filled), height and strong wind pressure may affect and decrease the indicated values. Make always sure the gate structure is adequate to automation.

Pictures are merely indicative.

2018 MECCANICA FADINI s.n.c. COPYRIGHT © ALL RIGHTS RESERVED

BR.FAD/DARDO/GBFE/01.18



Via Mantova, 177/A
 37053 Cerea (VR) Italy
 Ph.+39 0442 330422
 Fax +39 0442 331054
 info@fadini.net
 www.fadini.net

