

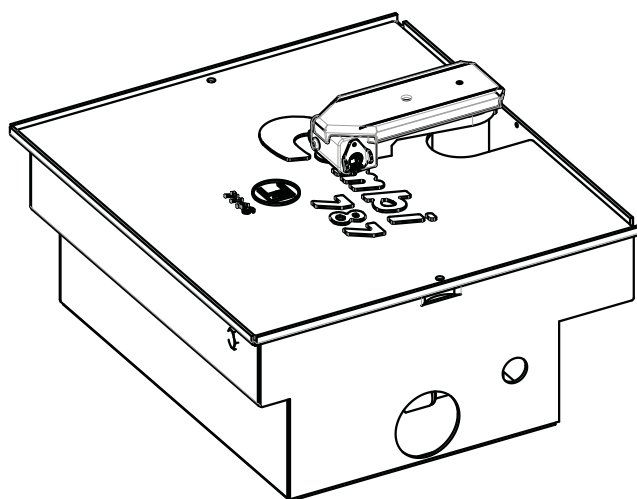
I - Libretto di istruzioni pag. 2

GB - *Instructions manual* pag. 5

F - *Notices de montage* pag. 8

D - *Betriebsanleitung* pag. 11

E - *Manual de instrucciones* pag. 14



Combi 787



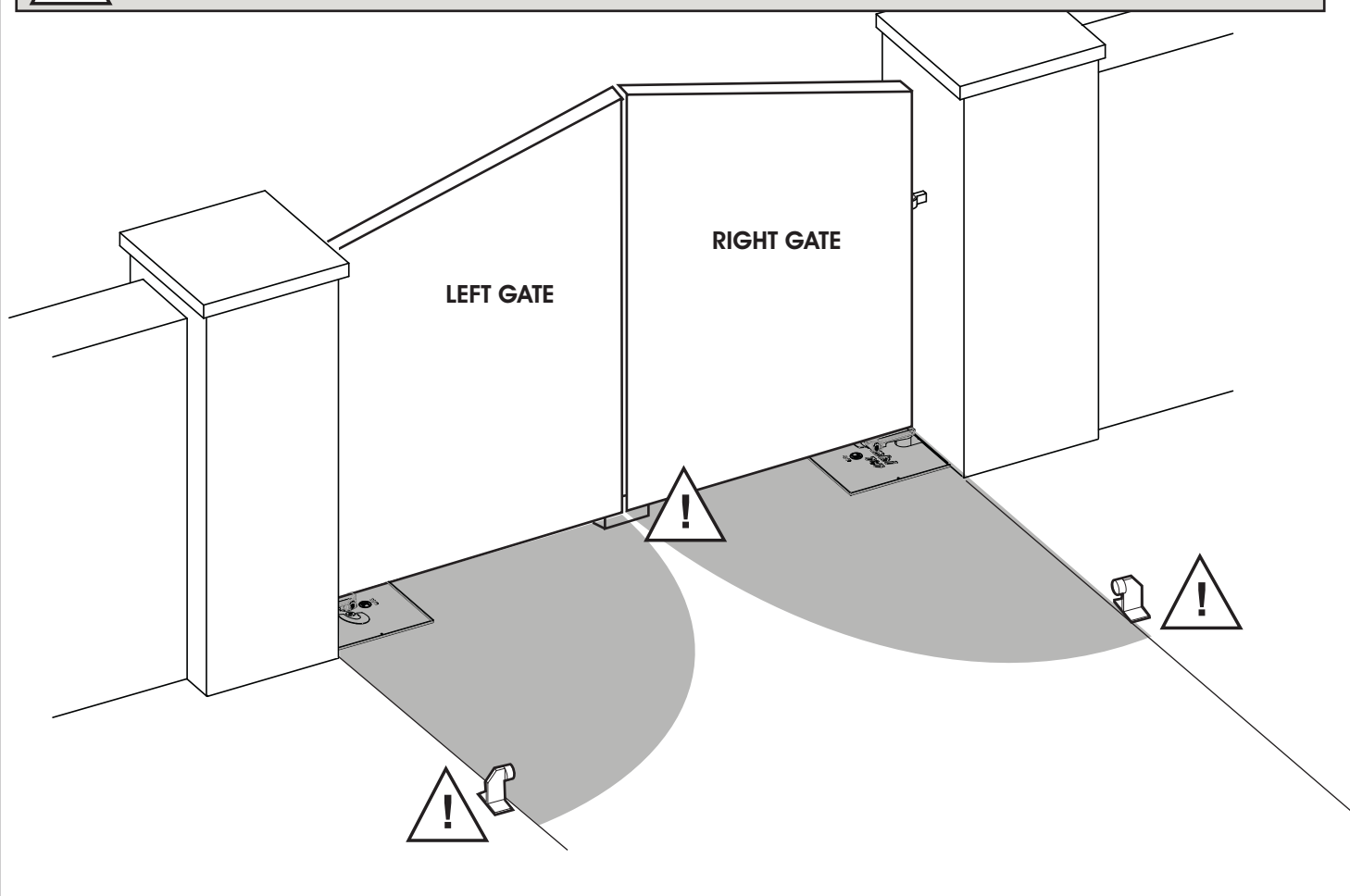
EN 13241
EN 12453
EN 12445



FADINI
l'apricancello
made in Italy

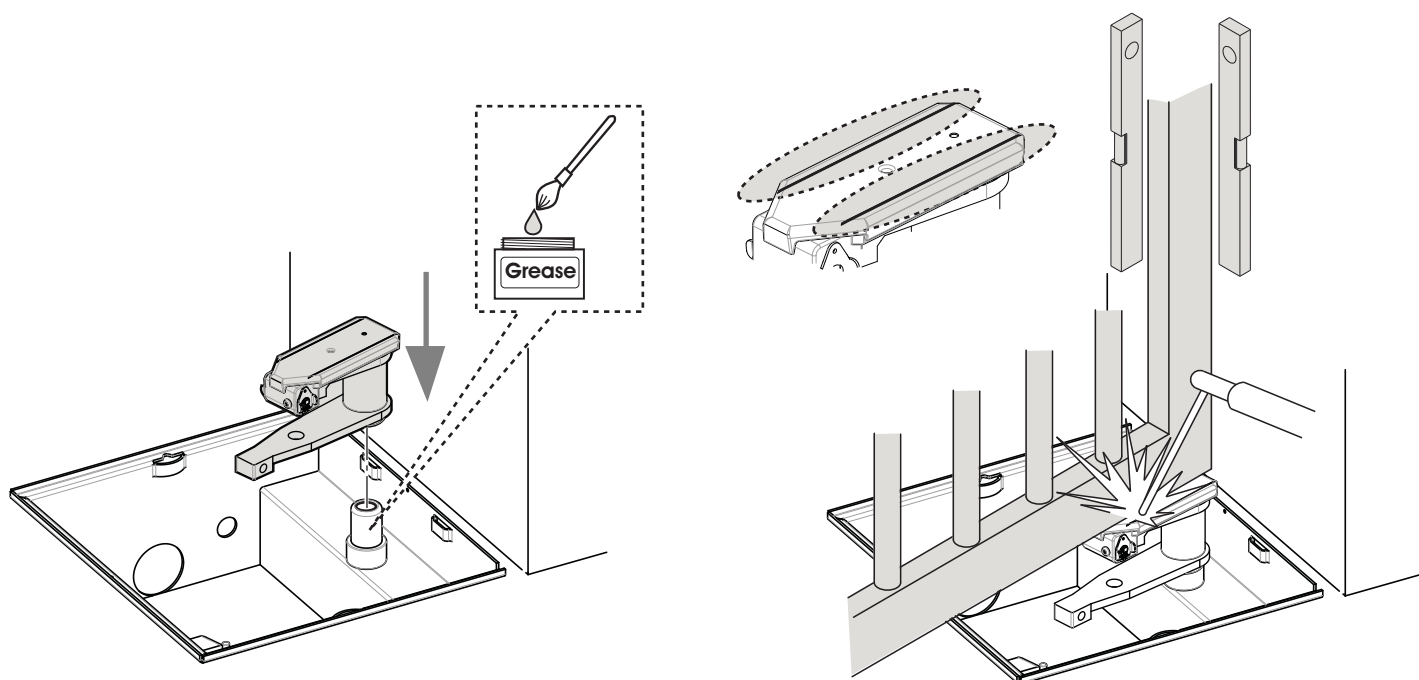


NOTE WELL: IT IS PREFERABLE TO ALWAYS FIT GROUND GATE STOPS. SHOULD THIS NOT BE POSSIBLE, COMBI 787 IS DESIGNED SO THAT GATE STOPS CAN BE FITTED INTO THE ENCLOSURE



1) WELDING THE GATE ONTO THE RELEASE BRACKET

Position the gate onto the release bracket, making sure they are in axis with each other, reference marks are provided to this purpose, and in vertical line with the gate upper hinge

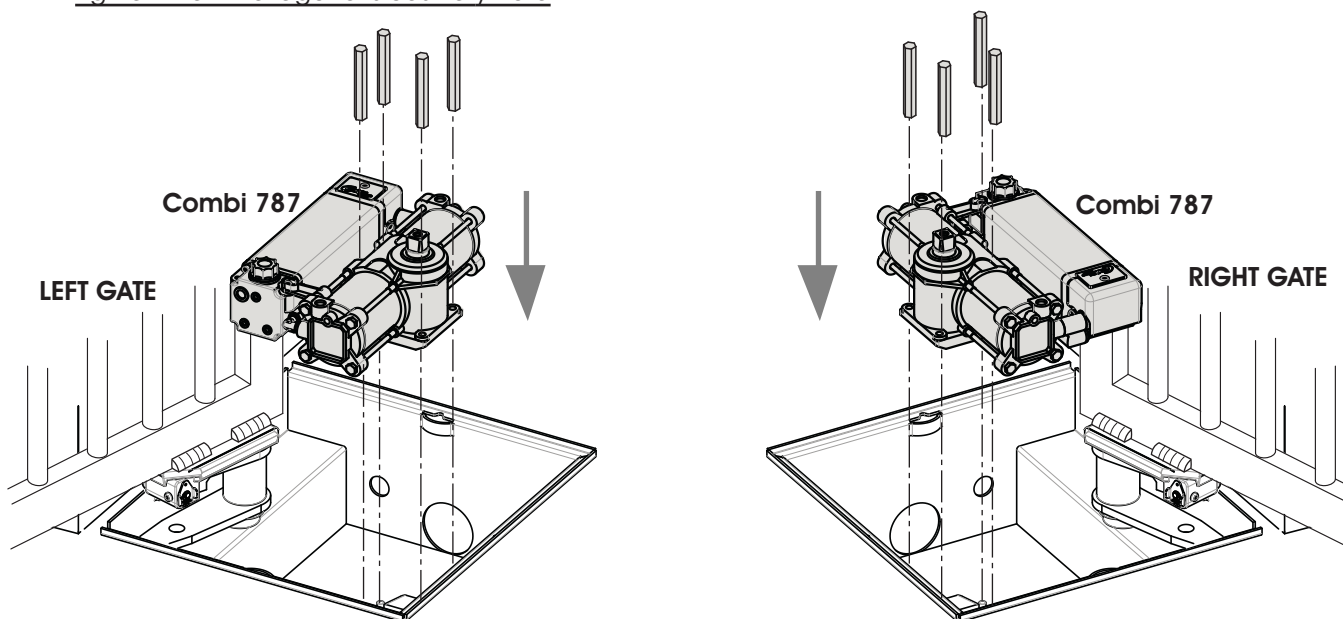


2)

FITTING COMBI 787's INSIDE THE ENCLOSURES

Put the Combi 787's inside the enclosures and fix them by the 4 stud bolts: no difference between Combi right-hand or left-hand.

Tighten the 4 hexagonal studs very hard

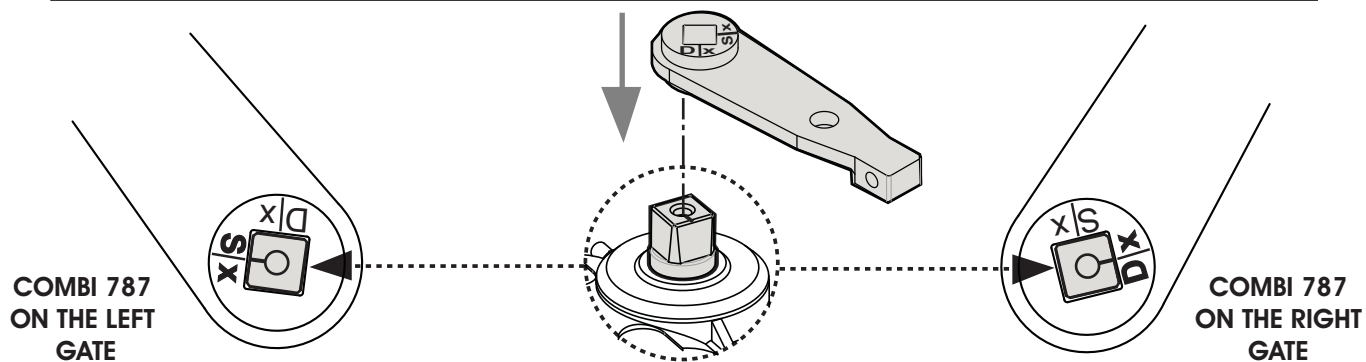


3)

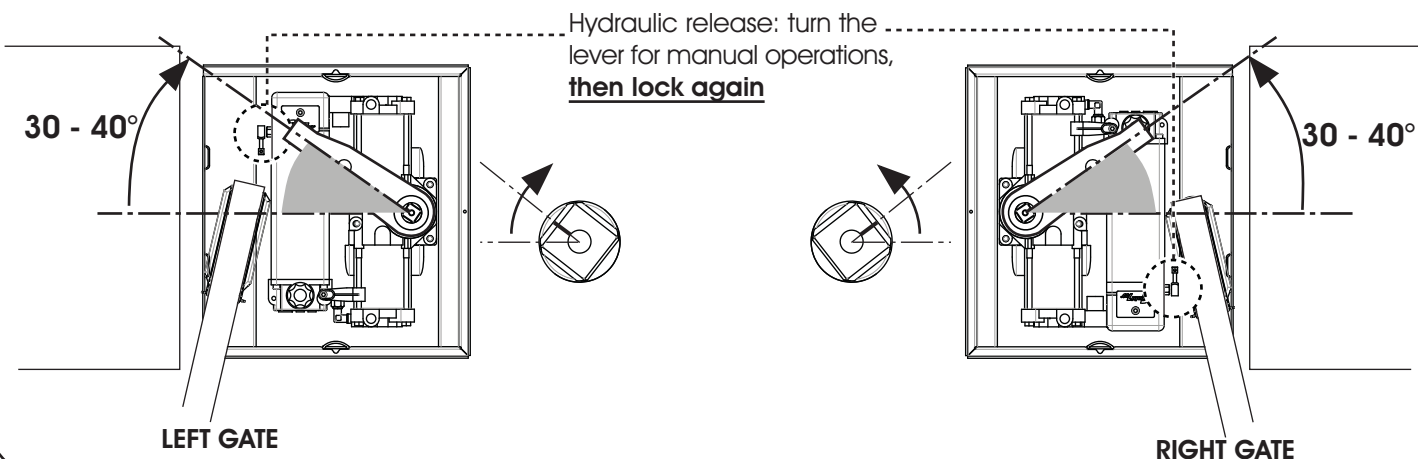
FITTING THE OPERATING ARMS ONTO THE SQUARE SHAFT

NOTE WELL: FIT THE OPERATING ARM AND MAKE SURE THE RESPECTIVE NOTCHES ON THE SQUARE SHAFT AND OPERATING ARM ARE PERFECTLY ALIGNED :

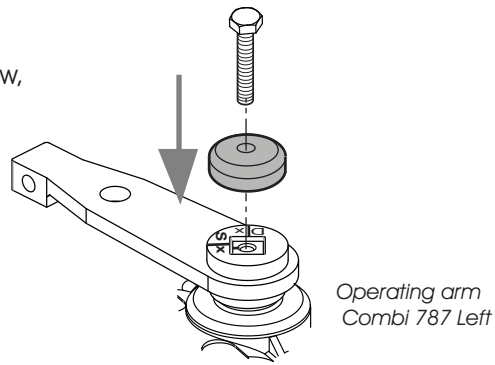
- COMBI INSTALLED ON THE RIGHT TO MATCH THE NOTCH MARKED DX (right)
- COMBI INSTALLED ON THE LEFT TO MATCH THE NOTCH MARKED SX (left)



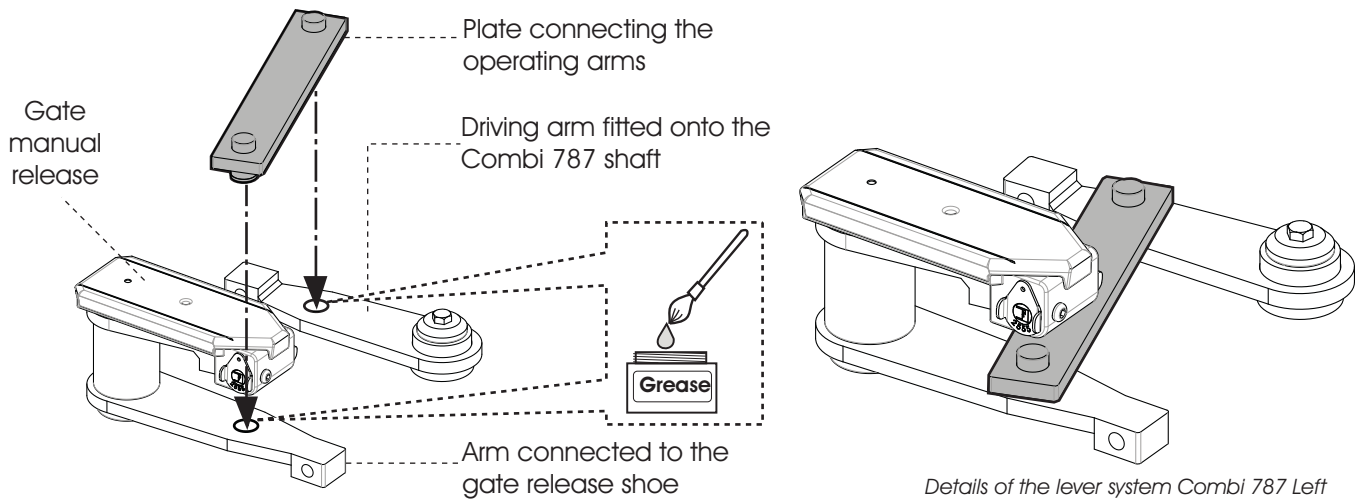
Rotate the shaft about 30-40° in the direction opposite to the opening of the gate (towards the outside), manually with Combi released, or electrically by providing a temporary power connection setup.



4) LOCKING THE OPERATING ARM
Fasten the operating arm by the ring and screw, tightening very hard



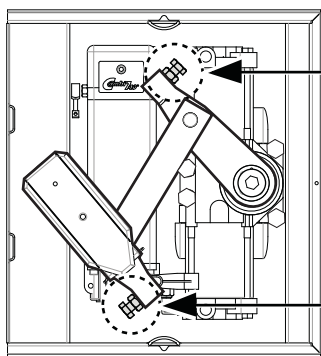
5) FITTING THE ARM CONNECTION PLATE
Fit the connection plate into the holes of the two arms.



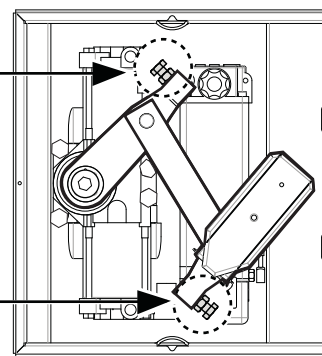
6) ADJUSTMENT OF THE OPENING AND CLOSING GATE STOPS (if case no ground fitting is allowed)



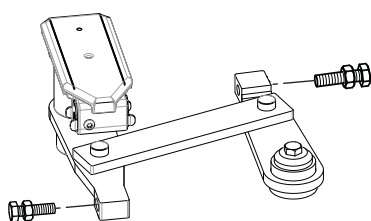
ATTENTION: THE MANUFACTURING COMPANY RECOMMENDS TO INSTALL OPENING AND CLOSING GATE STOPS PREFERABLY ON GROUND. IN CASES WHERE THESE CANNOT BE FITTED, IT IS POSSIBLE TO MOUNT GATE STOPS INSIDE THE MOTOR ENCLOSURE AND ADJUST THEM AS DESCRIBED BELOW.



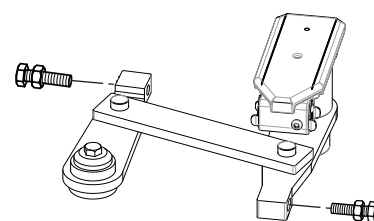
Adjustment screw CLOSING gate stop:
close the gate, then adjust the screw and tighten the locking nut



Adjustment screw OPENING gate stop:
open the gate to the required open position, then adjust the screw and tighten the locking nut



**COMBI 787
ON THE LEFT GATE**



**COMBI 787
ON THE RIGHT GATE**